

TURBO VKN5

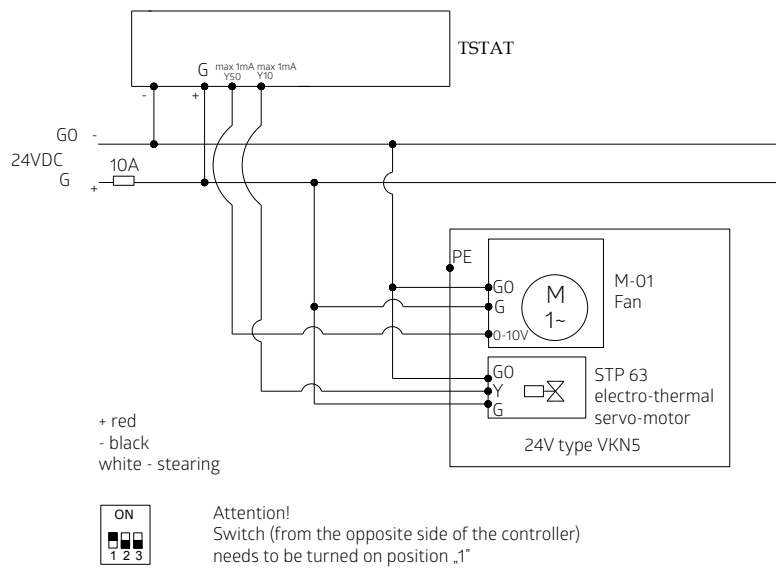
Electrical connection instruction

Attention!

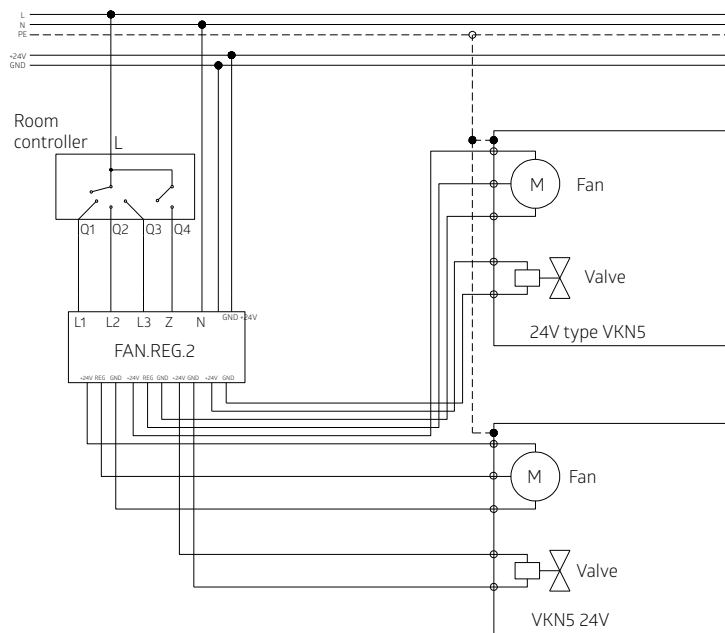
Electrical connections can be only done by appropriate licensed person and in compliance with electric standards.

Voltage can be turned on only after through checking of whole connection diagram.

It is prohibited to supply TURBO VKN5 directly from the main voltage of **120-230V**.



Wiring diagram for the RDG160T TSTAT



Wiring diagram for the other controllers